

OPERATING MANUAL

Earth Fault Relay

EFR-9611

—TRINITY—

FEATURE

- Earth Fault Current Monitoring In 1Ø - 2W, 3Ø-3W And 3Ø-4W System
- Test Mode Available.
- Tripping Reset Facility.
- Test/Trip Reset Via Front Key

TECHNICAL SPECIFICATION

INPUT SPECIFICATION

Input Current	5 Amp. AC From CBCT OR CT
Range	10.0 % to 100.0%
Resolution	1 %

DISPLAY & KEYS

Display	4 Digit Seven Segment 0.56" Red
Keys	SET, INC, DEC, ENT/RST

DIMENSION

Size (mm)	96(H) X 96(W) X 52(D)
Panel Cutout	92(H) X 92(W)

OUTPUT SPECIFICATION

Relay	1 Nos.
Relay Type	1 C/O (NO-C-NC)
Rating	10A,230V AC Resistive Load

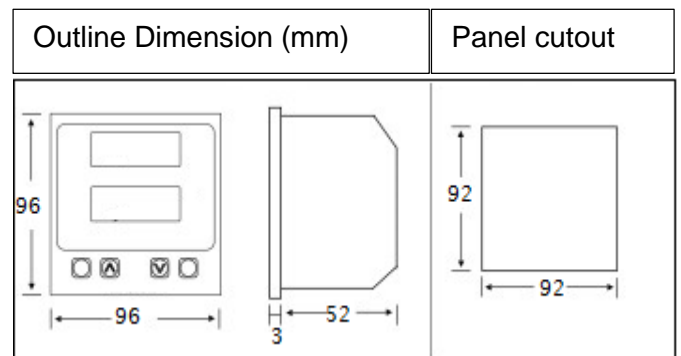
AUXILIARY SUPPLY

Supply Voltage	100 To 250 V AC,50/60Hz
Power Consumption (VA Rating)	4VA @ 230 VAC MAX

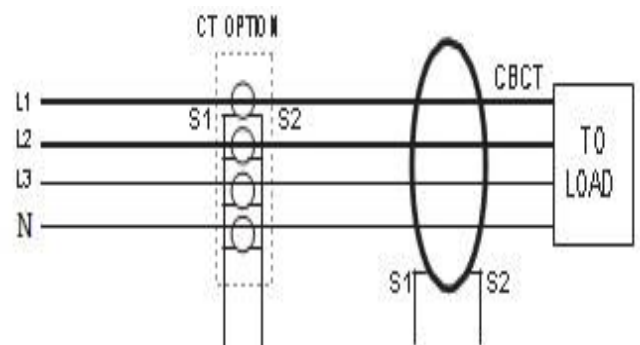
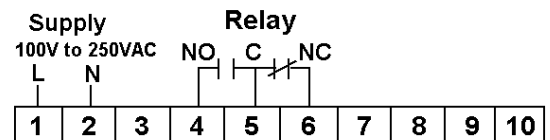
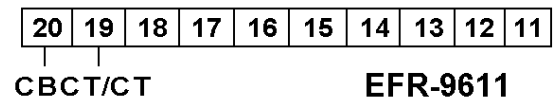
ENVIRONMENT CONDITION:

Operating Temp.	0° C to 55° C
Relative Humidity	UP to 95% RH(non-condensing)
Protection Level (As per request)	IP-65 (Front side) As per IS/IEC 60529 : 2001

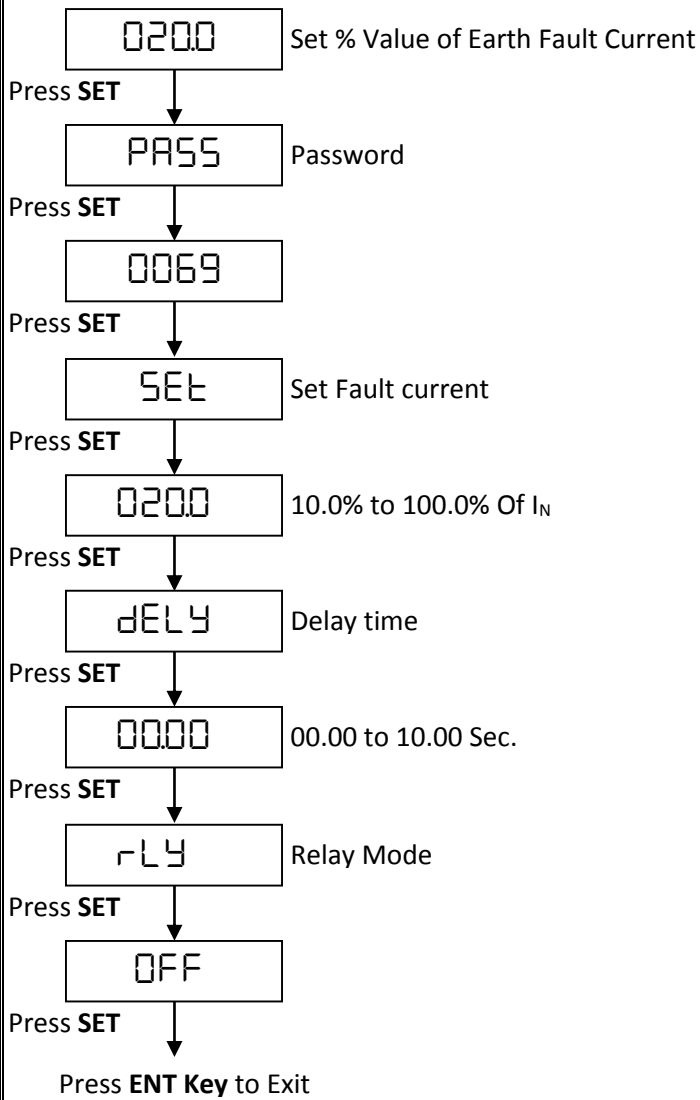
MECHANICAL INSTALLATION



TERMINAL CONNECTION



PARAMETER SETTING



Note: Restart Instrument after changing Relay Mode.

TEST MODE

To Enter in TEST Mode

- Press TEST Key 5 Second

Display Shows tEST

Where Relay is ON

- To Exit TEST mode Press ENT/RST Key