

ENTITY

DIGITAL ENERGY METERS

Entity, from Trinity are micro-controller based digital energy meters for use in three phase electrical systems for sub-metering applications. The design of these meters is based on proven micro-controller technology; with front end ASICs resulting in compact and accurate energy metering. The accuracy of the meters is maintained even under severely distorted waveform conditions which occur due to harmonics in the system.

Entity is the basic model, with a 16 x 1 LC Display. having additional optional features like RS485 port, dual source measurement and whole current measurement up to 60A.



FEATURES

- ✓ Class 1.0s accuracy as per IS13779
- ✓ Class 0.5 accuracy also available
- ✓ Micro-controller based
- ✓ Backlit 16x1 LC Display with dual source
- ✓ RS 485 communication port with MODBUS-RTU protocol
- ✓ Hanging CT with 60AMPS
- ✓ Available with three phase or single phase with Rs485 + DUAL source



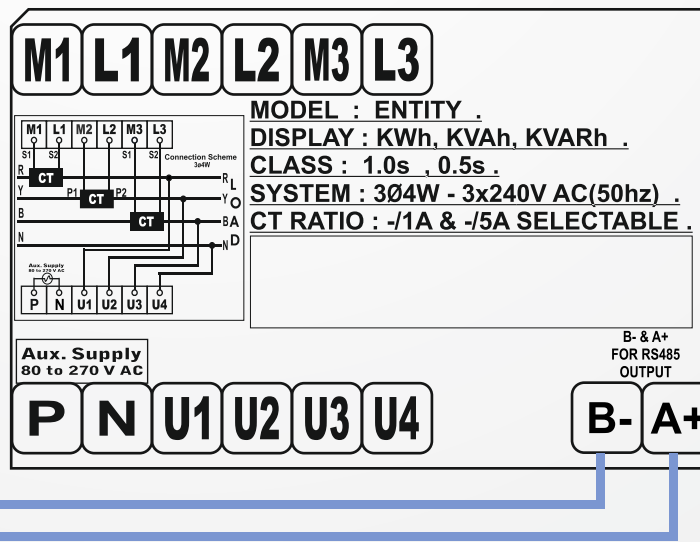
TRINITY ENERGY SYSTEMS PVT LTD

386, Savli G.I.D.C. Industrial Estate, Nr. Manjusar, At & Po: Alindra, Tal.: Savli, Dist. Vadodara - 391775 Gujarat, INDIA
Phone: +91-922 800 4452/53/54, Email: info@trinityenergy.co.in | www.trinityenergy.co.in



TECHNICAL DATA

PARAMETERS			
TYPE	NAME	STATISTICS	
INPUT	Supply	Three Phases and Neutral of a 3P4W system	
	Voltage	Direct Voltage Input : Up to 300 V L-N or 500 V L-L Burden : 0.5 VA	
	Current	Secondary Current Input : 5A or 1A (Site Selectable) CT Primary : Site Selectable Burden : < 1.0VA Overload (Through CT) : 5A CT = 6A RMS continuous 1A CT = 1.2A RMS continuous (Whole Current) 120% of I _{max} continuous	
	Auxiliary Power Supply	Operating Voltage for SMPS : 80 VAC to 270VAC, 50-60 Hz	
COMM.	RS485 Port	Supporting MODBUS-RTU protocol	
	Total Active Energy (KWh)	Range of Reading: 0 to 9999999.9 KWh Accuracy : 1.0 S as per IS13779	
MISCELLANEOUS	Dimen.	Bezel	96 x 96 mm
		Panel Cutout	92 X 92 mm
		Depth of installation	65 mm
	Operating temp	0° C to 50° C	
	Weight	0.36Kgs	
	Min. Operating Current	0.4% of CT primary	
	Dual Source Sensing	Apply 150VAC to 270 VAC for DG Sensing	



TRINITY ENERGY SYSTEMS PVT LTD

386, Savli G.I.D.C. Industrial Estate, Nr. Manjusar, At & Po: Alindra, Tal.: Savli, Dist. Vadodara - 391775 Gujarat, INDIA
 Phone: +91-922 800 4452/53/54, Email: info@trinityenergy.co.in | www.trinityenergy.co.in